

## + Features

- Field hardened, strand, pedestal or wall mounted.
- 10 single or 5 double modules.
- EDFAs, optical switches, optical stacker modules.
- Redundant Powering.
- Integrated controller card for status monitoring.

## ⚙ Applications

Single, multi wavelength and bi-directional optical extension for:

- Hub Elimination
- Node splitting and segmentation
- RFoG and FTTx
- Long Haul Super-Trunking



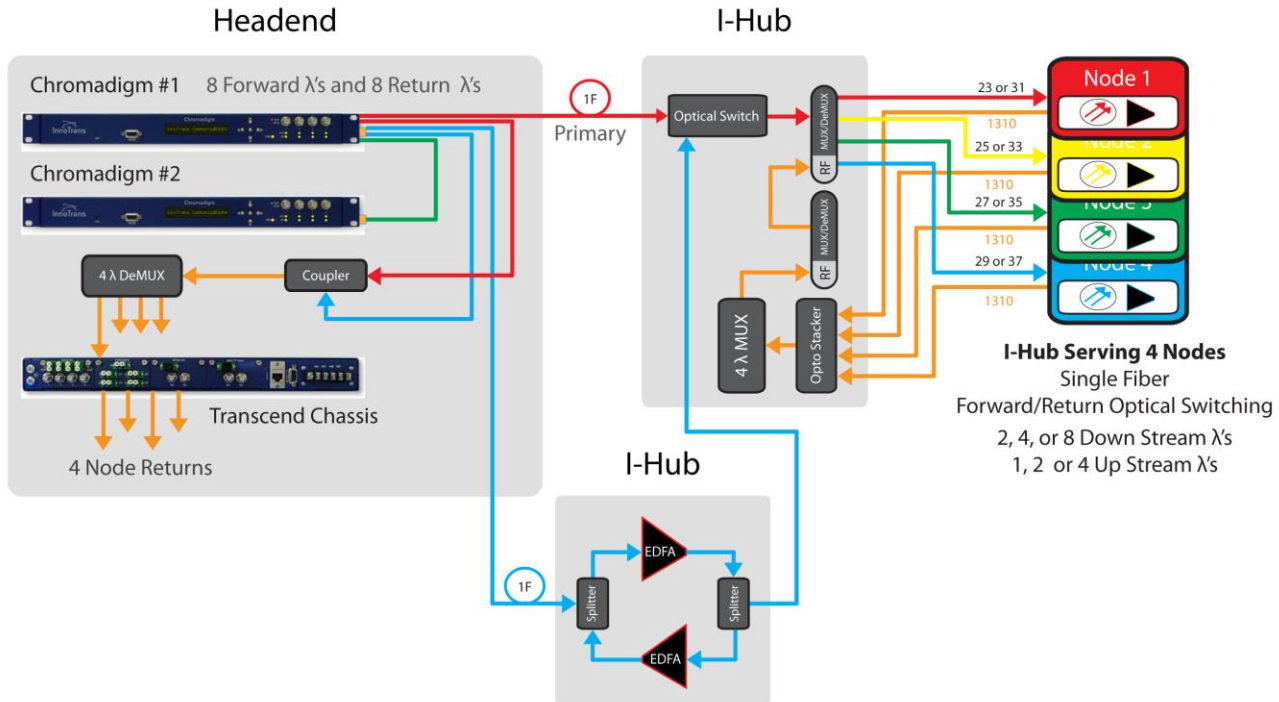
## Key Benefits

The IHUB-HSG2 die cast aluminum housing provides a completely field hardened solution eliminating the need for costly buildings and OTN sites. The housing is designed for pedestal, street cabinets, underground vaults or aerial strand mounting. The housing accommodates 10 application module slots, four in the base and six in the lid. A family of application modules makes the I-HUB ideal for advanced optical multi-wavelength forward and return path applications.

AC power is inserted on either end of the housing and two independent sources can be used for power source redundancy. Backplane boards mounted on each side of the housing provide A & B powering and communication to all I-Hub modules and control module. Dual load sharing 100W high efficiency power supply modules are distributed across the 10 slot locations.

Optical cable access is available at both ends of the housing with a specialized compression fitting to mount outside fiber plant cable or fiber service entry cables. Fiber management splice and storage trays reside on both sides of the housing and above the modules. The trays are mounted on the raceway support system which can swivel for module access. Fiber jumpers are routed through the fiber channels and up to the corresponding trays and modules.

A control module located in the lid of the housing communicates with the modules via the backplane boards. Communications for network monitoring is accomplished via a return data TX (SFP) or through an Opto-Stacker module. A local interface via an external umbilical cord is used for local monitoring and threshold setting adjustments.



## Available Modules

IHUB-CTRL2	I-Hub Control And Communication Module
IHUB-PS2-90A-100	I-Hub Power Supply Module
IHUB-DSP-HH	Hand Held I-Hub Display Unit, Local Monitor And Control Interface with The I-Hub Control Module, With DB15 Connection Cable
IHUB-OS-C	I-HUB Optical Switch, Direction Sensitive, Dual Inputs and a Single Output for 2x1 Protection Configuration, C-Band Rated for Forward ITU DWDM Transport, Wide Input Range of -10 dBm to +15 dBm, SC/APC Input & Output Optical Connectors
IHUB-POA-04x15-EPL	I-Hub PON EDFA Module, Supports Four Optical Outputs @ +15 dBm, (Single WL Total Output Power), Express Port On Each Output, SC/ APC Optical Input Connector & LC/APC High Density Output Optical Connectors
IHUB-POA-04x18-EPL	I-Hub PON EDFA Module, Supports Four Optical Outputs @ +18 dBm, (Single WL Total Output Power), Express Port On Each Output, SC/ APC Optical Input Connector & LC/APC High Density Output Optical Connectors
IHUB-GCA-0615-C	I-Hub Field Hardened EDFA Module, With AGC, +6 dBm Gain With +15 dBm Total Power, Single Optical Input & Output, SC/ APC Input & Output Connectors (available with express ports)
IHUB-GCA-0918-C	I-Hub Field Hardened EDFA Module, With AGC, +9 dBm Gain With +18 dBm Total Power, Single Optical Input & Output, SC/ APC Input & Output Connectors (available with express ports)
IHUB-OPSTK-(39,41,43,45,47,49,51,53)-C	I-Hub Field Hardened Opto-Stacker, Double Wide Module, Four Optical Inputs, 5-85 / 200 Mhz Frequency Stacking, +8 dBm Output, ITU Channel 39, SC/ APC Input & Output Connectors